

# Thermostatic Valve

Type: TF

1/2 / 3/4 / 1 / 1 1/4 / 1 1/2

Technical Data Sheet



## Application

Flow regulation in the oil circuit of screw compressors to ensure the optimum operating oil temperature.

## Function

To ensure the target temperature for full performance of the oil and to avoid condensation fall-out. Oil filtration via spin on oil filter.

## Installation

The thermostatic valve is installed in the oil circuit between the oil separator and the air end.

## Maintenance

For maintenance follow the recommendation and instruction of the compressor manufacturer.

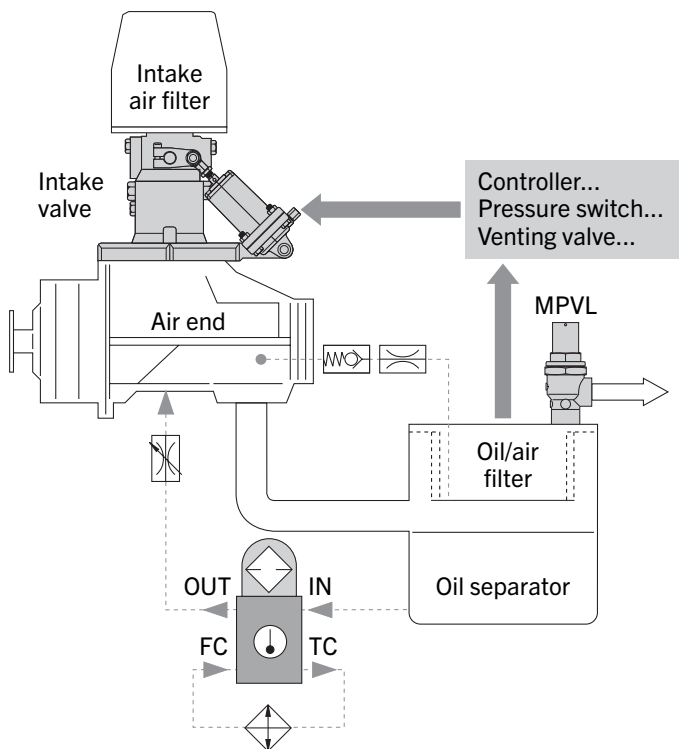
## Operation

Depending on the temperature of the incoming oil, the thermostatic valve sends required amount of oil to the cooler to ensure the target oil temperature. Filtration of oil after the flow regulation.



**Attention! Never attempt to disassemble a valve whilst under pressure!**

## Schematic



## Legend

- IN Oil coming from the oil separator
- TC Hot oil going to the oil cooler
- FC Oil coming back from the oil cooler
- OUT Oil going to the air end

## Technical details

TF		½	¾	1	1¼	1½
Nominal diameter	mm	15	20	25	32	40
Max. working pressure	barg psig	16 232				
Temperature range	°C °F	-20 to +120 -4 to +248				
Dimensions		Refer to component drawing				
Connections		G½	G¾	G1	G1¼	G1½
Thermostat setting	°C °F	55 to 70, 70 to 85, 75 to 90, 80 to 95 131 to 158, 158 to 185, 167 to 194, 176 to 203 Additional setting on request				
Max. flow rate	[l/min] [gal/min]	45 11.9	70 18.5	140 37.0	180 47.6	400 105.7
Filter connection		G½, G¾, 1-12UNF, 1½-16UN, M38 A suitable filter must be fitted on the valve and is not part of the supply.				
Medium		Compressor oil compatible with HOERBIGER reference oil list.				
Materials		Aluminum, brass, (zinc plated) steel, FKM				
Weight	kg	0.96	0.91	2.55	2.40	4.21

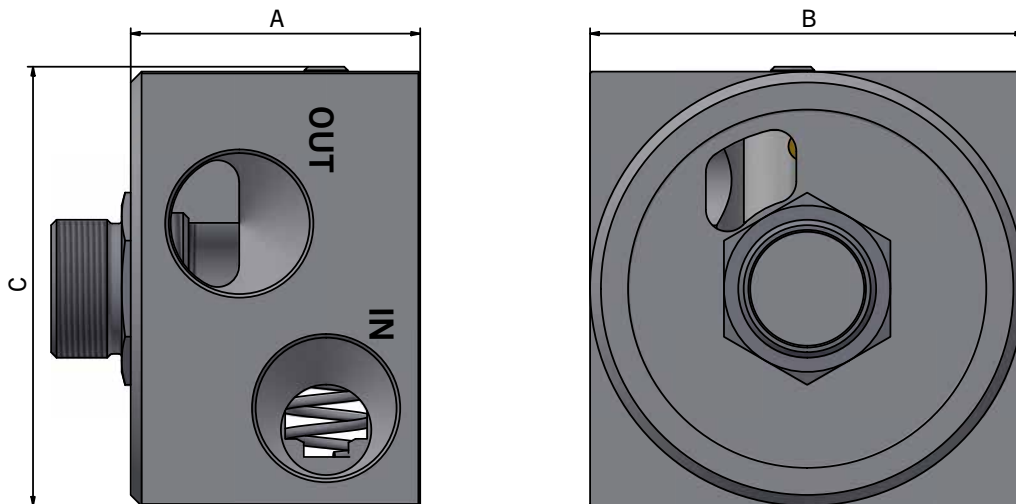
## Main dimensions

Refer figures below

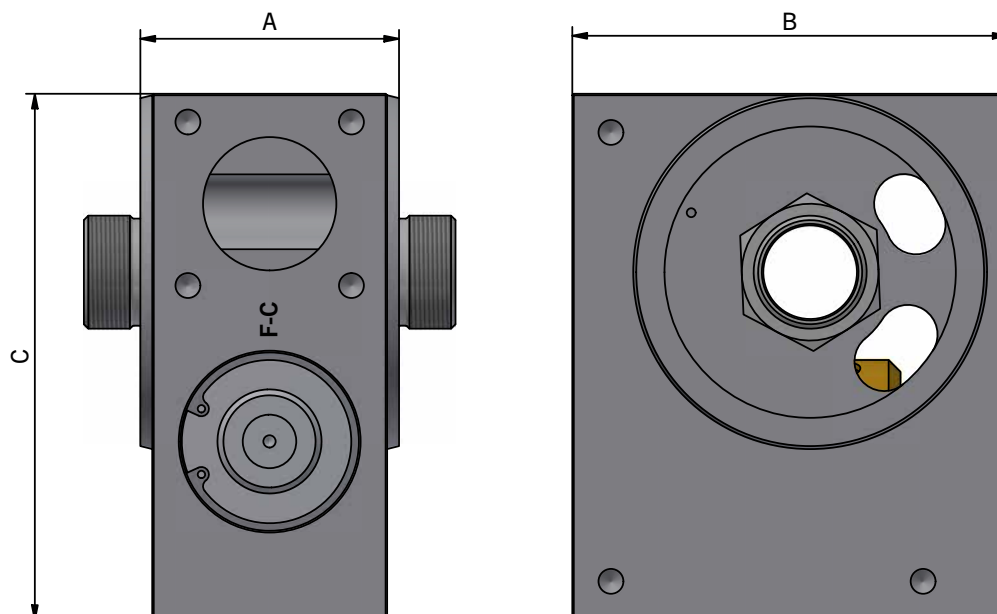
TF		1/2	3/4	1	1 1/4	1 1/2
A	mm	59	59	80	80	87
	inch	2.3	2.3	3.1	3.1	3.4
B	mm	80	80	120	120	149
	inch	3.1	3.1	4.7	4.7	5.9
C	mm	92	92	122	122	177
	inch	3.2	3.2	4.8	4.8	7.0

## Figures

TF 1/2-1 1/4



TF 1 1/2





Scan for more information!



Contact us via email  
[air-industrial@hoerbiger.com](mailto:air-industrial@hoerbiger.com)

Locally close to the customers – globally successful: HOERBIGER is active worldwide in 43 countries on all continents. 6,174 employees at 133 locations – including 30 production plants – deliver reliable solutions for better performance, increased safety, and fewer emissions. In 2023, they generated sales of 1.416 billion euros. For renowned customers from the energy sector, the process industry, the automotive industry, the mechanical engineering industry, safety technology, and the electronics industry, performance-determining products and services from HOERBIGER make the difference. With innovations for decarbonization and energy transition, HOERBIGER is already enabling change today for a better tomorrow. As majority shareholder, the HOERBIGER Foundation preserves the 129-year-old entrepreneurial heritage and guarantees stability, independence, and a future-oriented strategy.

## HOERBIGER.COM

All rights reserved. Subject to change without notice © Copyright HOERBIGER 2024

HOERBIGER can not grant any warranty for the correctness of technical or other data in catalogues, brochures and other printed material.

